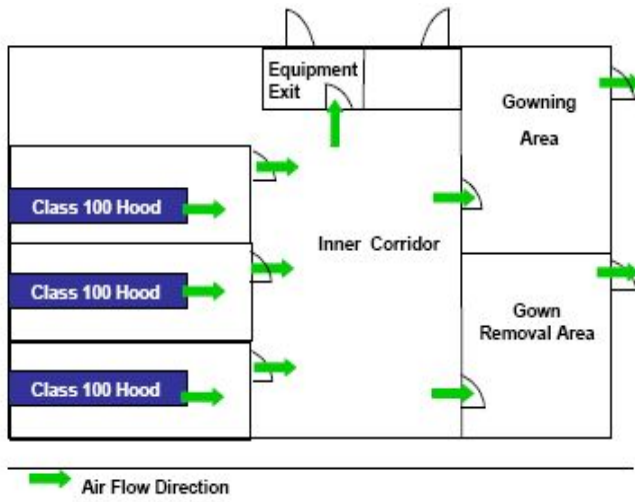


Audit 13

Pressure Differentials



Monitoring of Surfaces

Contact plate method:



Slit-to-agar method:



Swab method:



Centrifugal method:



Sieve method:

